

Halogen light for everyone

OSRAM HALOPAR® 16

SEE THE WORLD IN A NEW LIGHT



An excellent platform for a wide variety of uses

HALOPAR® 16 from OSRAM are innovative halogen reflector lamps for mains voltage. They look just like "classic" DECOSTAR® lamps – but unlike low-voltage lamps do not need transformers. HALOPAR® 16 lamps are ideal wherever transformers have been too costly to install or were not desirable for aesthetic reasons.

Halogen in an instant

The HALOPAR® 16 with E14 (SES) screw base can be used in many luminaires not originally designed for halogen lamps, such as elegant spot lights or floor-standing lights. These luminaires designed – specifically for mains voltage HALOPAR® 16 lamps take the attractive, fully dimmable reflector lamps in the relevant GU10 or GZ10 base versions.

The most important benefits of HALOPAR® 16:

- No transformer required
- Fully dimmable without the need for special dimmers
- With integral safety fuse: meets the safety requirements of IEC 60432-2
- Approved for use in unshielded luminaires to IEC 60598-1
- UV-FILTER technology
- With aluminium or Cool-Beam reflector
- Looks like an OSRAM DECOSTAR®
- With GU10, GZ10 and E14 (SES) base

Mains voltage halogen instead of low voltage reflector lamps. Thanks to HALOPAR® 16 now in new small luminaires without transformer.



Technical Data



HALOPAR® 16 with GU10 base

- Aluminium reflector
- Heat is emitted at the front
- Can be used in all luminaires with this lampholder



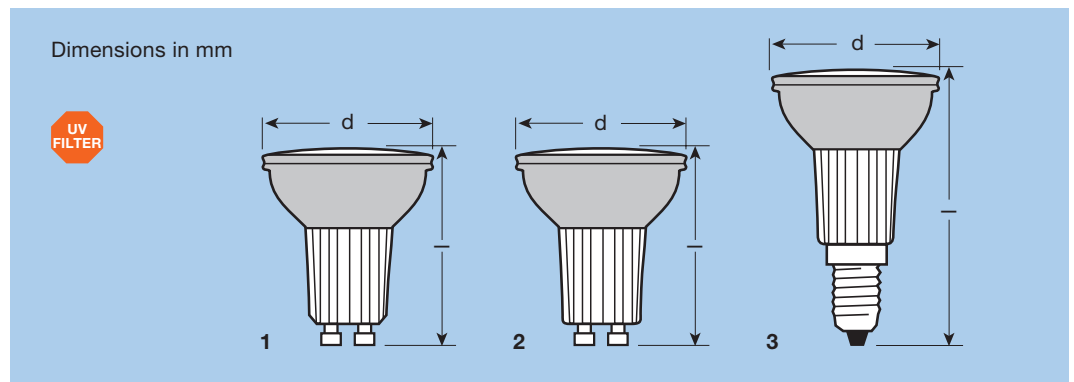
HALOPAR® 16 with GZ10 base

- Cool-Beam reflector
- Heat is emitted at the back
- A suitably designed luminaire is required



HALOPAR® 16 with E14 screw base (SES)

- Aluminium reflector
- Heat is emitted at the front
- Can be used in all luminaires with this screw-type lamp-holder



Type	HALOPAR® 16 Aluminium reflector	HALOPAR® 16 Cool-Beam reflector	HALOPAR® 16 Aluminium reflector/E14
Lampe reference	64824 FL	64826 FL	64822 FL
Product no. (EAN)	4050300 580111	4050300 501857	4050300 923628 (blister pack)
Rated wattage	50 W	50 W	40 W
Voltage	230 V	230 V	230 V
Luminous intensity	800 cd	750 cd	550 cd
Beam angle	40°	40°	40°
Colour temperature	2800 K	2900 K	2800 K
Life	2000 h	2000 h	2000 h
Length l (max.)	53 mm	53 mm	73 mm
Diameter d	50.7 mm	50.7 mm	50.7 mm
Base	GU10	GZ10	E14 (SES)
Standard pack	20 pcs.	20 pcs.	10 pcs.
Fig. no.	1	2	3

member of
voltimum
.com