

Technical Information

No. FO 4916

Edition: 08/05 - subject to change

Supersedes: Edition 09/02

Status: valid

Xenon Short Arc Lamp

XBO[®] 10000 W/HS OFR

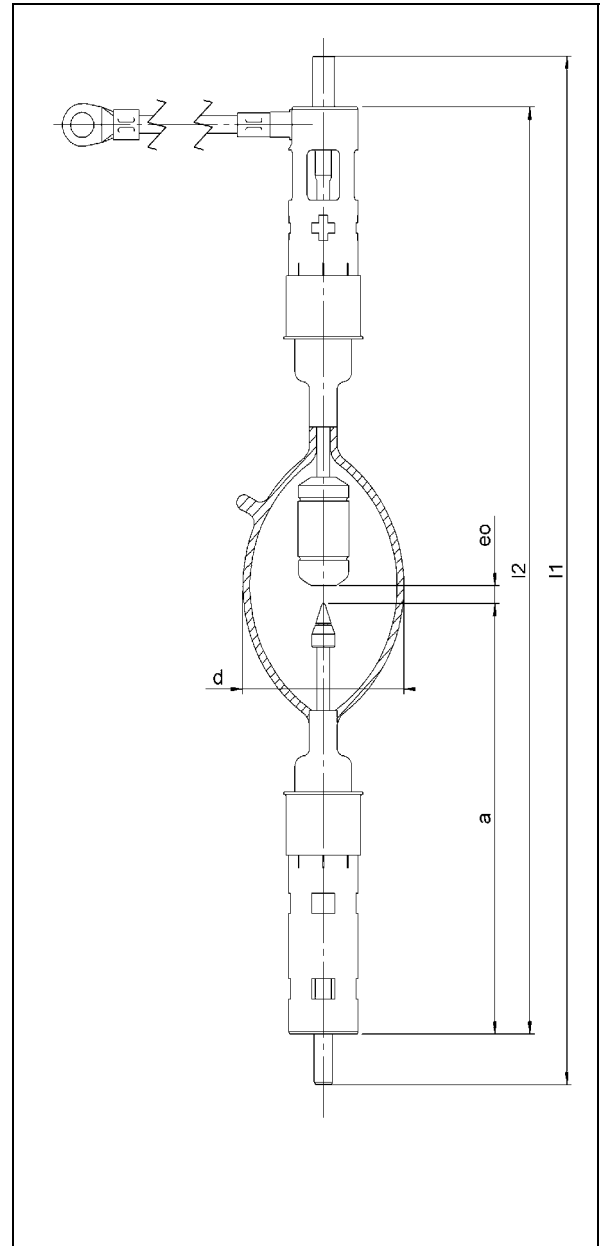
■ Product description

The OSRAM XBO[®] 10000 W/HS OFR is a DC-operated lamp that is especially suited for applications requiring excellent arc stability and a high luminance. The OSRAM XBO[®] 10000 W/HS OFR is designed for horizontal burning position (H = horizontal, S = short).

■ Technical data

Order reference	XBO [®] 10000 W/HS OFR	
Rated lamp wattage	W	9,800
Rated lamp voltage	V	50
Rated lamp current (=)	A	195
Current control range	A	160 - 200
Ignition voltage	kV _P	55
Min. open circuit voltage for cold / hot ignition	V	150 / 180
Luminous flux	lm	500,000
Luminous intensity	cd	47,500
Average luminance	cd/cm ²	90,000
Luminous area w x h *)	mm	2.4 x 12.0
Electrode gap e (cold)	mm	13.5
Lamp length (overall) l ₁	mm	max. 433
Lamp length l ₂	mm	max. 393
LCL a	mm	170.5
Bulb diameter d	mm	90
Average service life	h	500
Base	Cathode:	SFa 30-7,9
	Anode:	SFaX 30-9,5

*) w = luminance half width value; h = height of luminous area (corresponds to electrode gap, hot)



■ Lamp operation

Maximum permissible base temperature	230°C
Cooling	forced cooling / fan
Min. air flow velocity around discharge vessel	10 m/s
Magnetic arc stabilization	necessary for horizontal operation
Burning position	≤ 15° (vertical ± 15° ; anode up) ; p 15° (horizontal ± 15°)